

# LED Display Unit

MW7812-FI-EB



## Features

- Advanced grayscale gives detailed and realistic images.
- Seamlessly splices images without black lines on the screen.
- Simple and stylish appearance, easy to install.
- High brightness and contrast provide optimal images.
- Takes up less space with a slim and compact design.
- Long lifetime.
- Low heat, excellent heat dissipation, no noise.
- Low failure rate and maintenance cost.
- Ultra-wide viewing angle ensures satisfactory viewing experience from diversified angles.
- High refresh rate and frame frequency provide high image quality without ghosting or smearing.
- Front maintenance.
- Power supply with a wide input voltage range, strong adaptability.
- Supports wall mount without reserving space for maintenance.
- Optional dual power supplies and dual receiving cards.

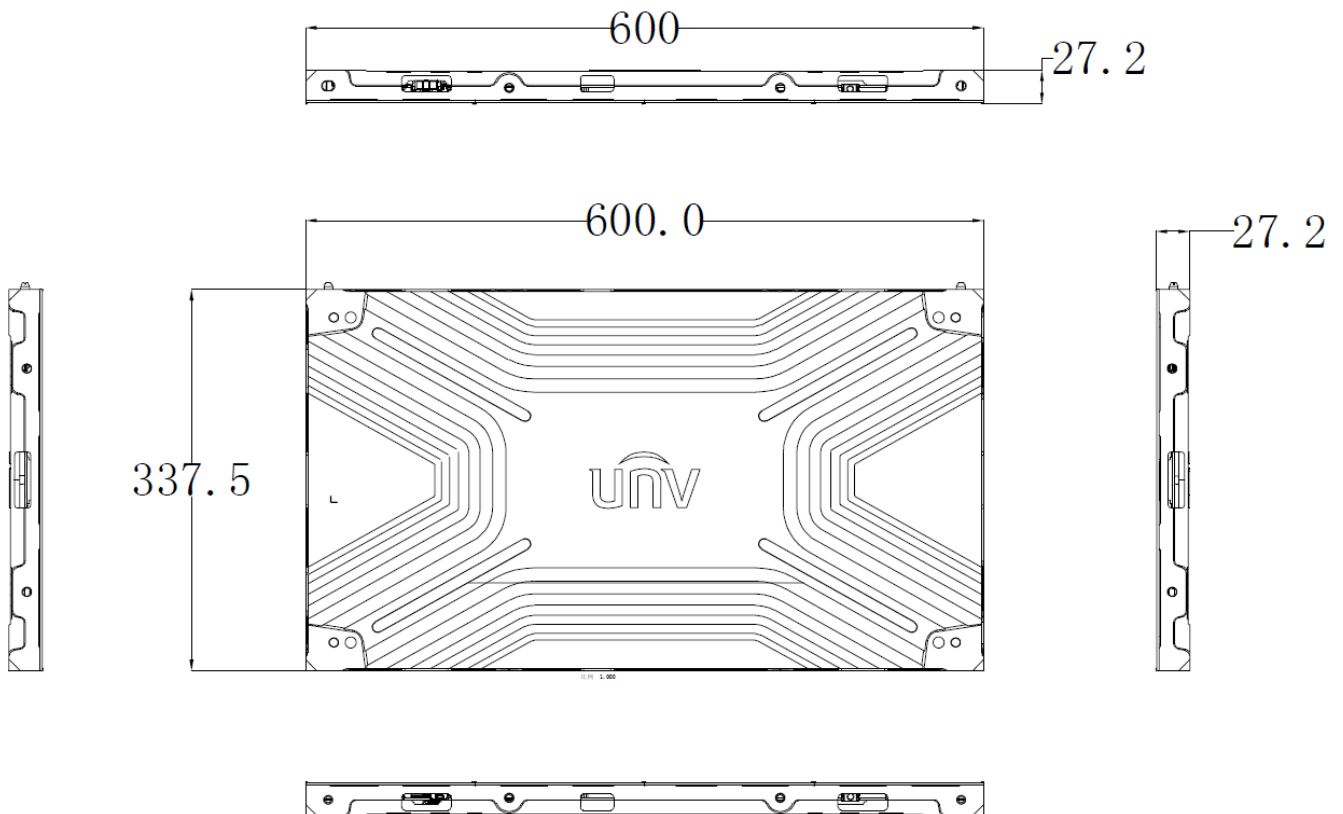
## Specifications

Model	MW7812-FI-EB
Module	

Pixel pitch (mm)	P1.2
Resolution (W*H)	120*270
Dimensions (W*H*D)(mm)	150*337.5*2
<b>Unit</b>	
Dimensions (W*H*D)(mm)	600*337.5*27.2
Modules component (W*H)	4*1
Resolution (W*H)	480*270
Weight (kg/pcs)	4.4
Area (m <sup>2</sup> )	0.2025
Pixel density (pitch/m <sup>2</sup> )	640000
Surface evenness (mm)	≤0.1
Cabinet material	Die-cast aluminum
<b>Optical</b>	
Single pixel brightness correction	Support
Single pixel color correction	Support
Brightness (nits)	600
Color temperature (K)	3000 to 10000 adjustable
Viewing angle (H/V)	160°/140°
Center distance deviation of LED	<2.5%
Brightness uniformity	≥97%
Color uniformity (Cx,Cy)	±0.003Cx, Cy
Contrast ratio	4000:1
<b>Processing performance</b>	
Grayscale	16bit
Scanning mode (s)	54
Drive mode	Constant current driving
Frame frequency (Hz)	50/60
Refresh rate (Hz)	3840
<b>Electrical</b>	
Power supply (V)	AC 100 to 240V, 50/60Hz
Average power consumption (W/m <sup>2</sup> )	≤240
Max. power consumption (W/m <sup>2</sup> )	≤544
<b>General</b>	
Maintenance mode	Front maintenance
Ingress protection	IP5X

Operating temperature/humidity (°C/RH)	-10°C to +40°C, 10% to 85% RH, non-condensing
Storage temperature/humidity (°C/RH)	-10°C to +55°C, 10% to 90% RH, non-condensing
LED lifetime (H)	100000

## Dimensions



## Ordering Information

Model	Remarks
MW7812-FI-EB	LED display unit (copper wire)

### Zhejiang Uniview Technologies Co., Ltd.

Building No.10, Wanlun Science Park, Jiangling Road 88, Binjiang District, Hangzhou, Zhejiang, China

Email: [overseasbusiness@uniview.com](mailto:overseasbusiness@uniview.com); [globalsupport@uniview.com](mailto:globalsupport@uniview.com)

<http://www.uniview.com>

©2022 Zhejiang Uniview Technologies Co., Ltd. All rights reserved.

\* Product specifications and availability are subject to change without notice.